

# HSHF

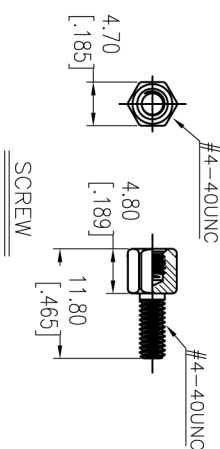
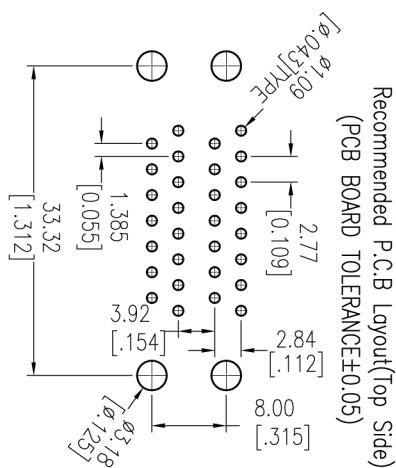
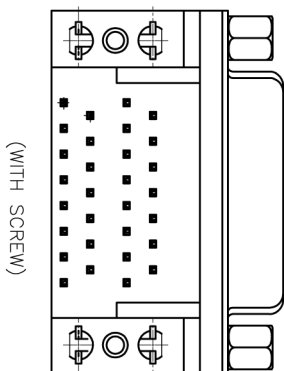
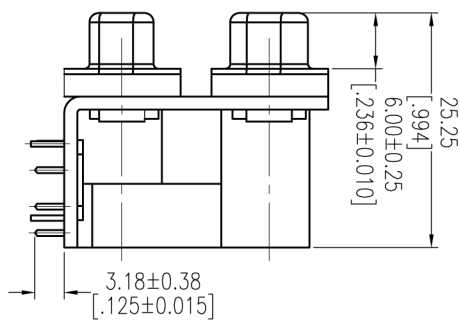
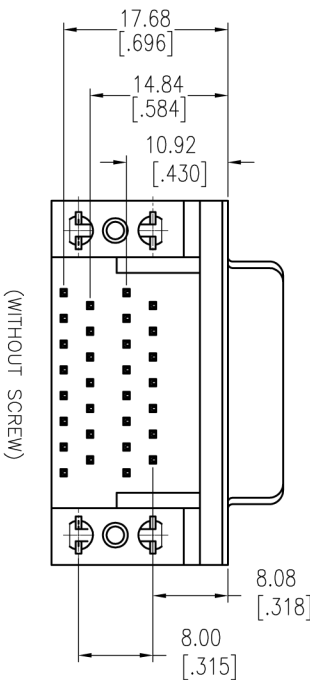
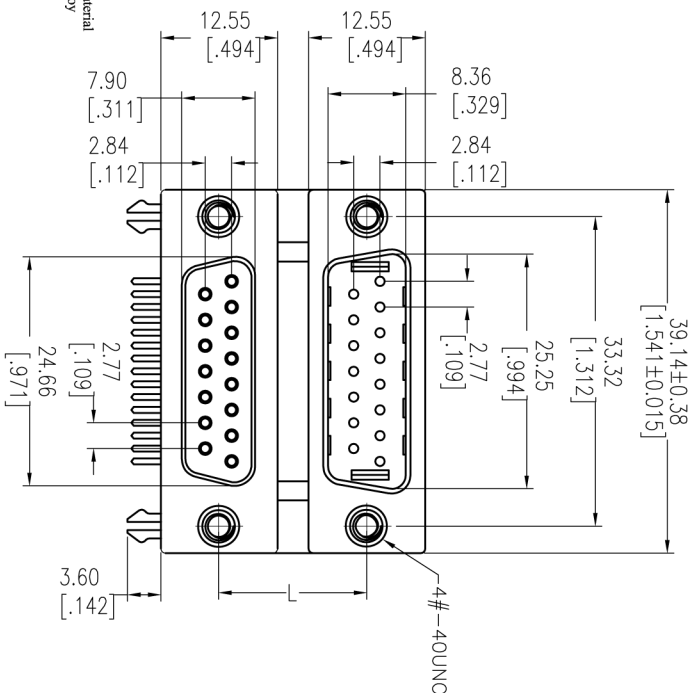
**NOTES:**

Current Rating: 5.0AMP  
 Contact Resistance: 25mΩ Max  
 Withstand Voltage: 1000V AC/DC  
 Insulation Resistance: 5000MΩ Min  
 Operation Temperature: -55°C to +105°C

Contact Material: Brass  
 Contact plating: Au Or Sn over Ni  
 Insulator Material: PBT+30%G.F UL94V-0  
 Shell Material: Spcc, Plating: Ni Plated  
 Rivet/ Harpoon: Brass, Sn over Ni  
 Screw: Brass, Plating Ni Plated

## Ordering Information

6200-X15 M X 15 F X XX X X X  
 Dim of Dual Port Center A=15.88mm  
 Center B=19.05mm  
 Down Port Color U=Blue  
 Bracket Material O=Zinc Alloy  
 Contact Plating: 1=SPCC  
 S0=Gold Flash/Tin  
 S3=10u Gold/Tin  
 S4=15u Gold/Tin  
 S5=30u Gold/Tin  
 SN=7Tin  
 Up Port Type Up Port Color Down Port Type  
 F=Female B=Black U=Blue  
 M=Male M=Male



Dim of Dual Port Center	DIM L
15.88mm	A
19.05mm	B

OPERATION	SCALE	FIT	PART NO.	TITLE: D-SUB Connector Dual Row Right Angle
XX ±0.40	UNIT	mm	6200-X15MX15FXXXXX	
CHECK	CHECK	DATE	DATE	Customer NO.
X.XXX ±0.15	SIZE	A4	2015/11/06	
ANGLE ± 3'	SHEET	1/1	APPROVE	
CHANGE	PROJ.		DATE	
DATE	MODIFICATION DESCRIPTION			
A1 2015/11/06	Modify			
A0 2013/01/10	NEW			
REV	DATE			

**hf** 上海回峰电子科技有限公司  
 Shanghai Hui Feng Electronic Technology Co., Ltd.

电话: 021-67150229  
 传真: 021-67150251  
 企业邮箱: hui Feng\_dzkj@163.com  
 公司网站: www.huifeng-china.com