

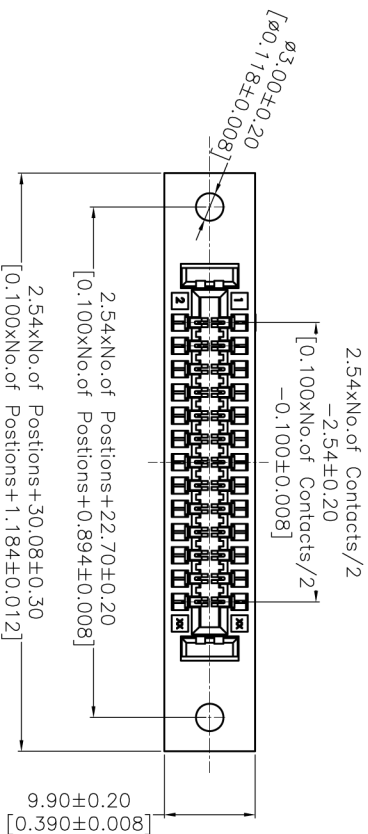
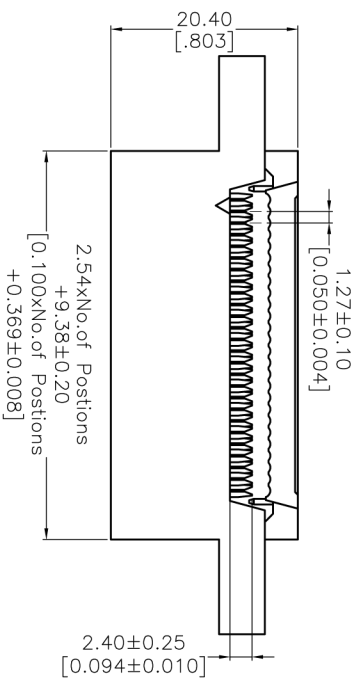
NOTES:

Current Rating: 1.0A AMP
 Contact Resistance: 20milliohm Max
 Withstand Voltage: 500V AC/Minute
 Insulation Resistance: 1000Megohm Min
 Operation Temperature: -40°C to +105°C
 Housing Material: PBT + 30%GF(UL94V-0)
 Contact Material: Copper alloy
 Contact plating: Au/Sn over Ni Plating

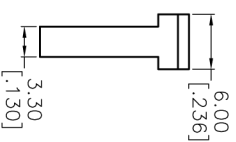
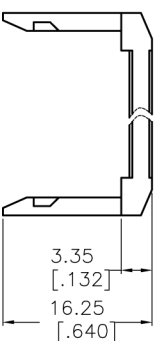
Ordering Information


5 2 6 0 - X X B P X X B W A 1

No. of Pins: 10-60P
 Type: A=With Clapboard B=Without Clapboard
 Contact Plating: S0=Gold Flash/Ni S1=3u"Gold/Ni S2=5u"Gold/Ni S3=10u"Gold/Ni S4=15u"Gold/Ni S5=30u"Gold/Ni
 Color: B=Black U=Blue G=Grey(427C)
 Packing: A=Tray T=Tube



SR P/N: G5260-XXCAB01



OPERATION		DRAW		DATE		SCALE		PART NO.	
XX	±0.40	HYH	HYH	2011.12.20	mm	1:1	5260-XXBPXXBW A1	TITLE: 2.54mm Card Edge Connector	
XX	±0.25	CHECK	CHECK	DATE	inch	A4			
XX	±0.15	Angle	APPROVE	DATE	SHEET	1/1	Customer NO.	 上海回峰电子科技有限公司 Shanghai Hui Feng Electronic Technology Co., Ltd. 电话: 021-67150229 传真: 021-67150251 企业邮箱: hufeng_dzkj@163.com 公司网站: www.hufeng-china.com	
REV	DATE	MODIFICATION DESCRIPTION	CHANGE	DIM	TOL				
A1	2013.07.16	Add SR Parts	YSH						
A0	2011.12.20	NEW	-						

1 2 3 4 5 6 7 8 9 10