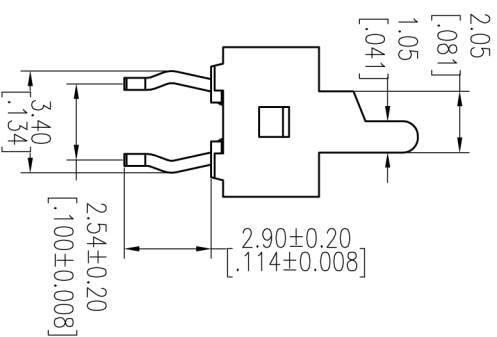
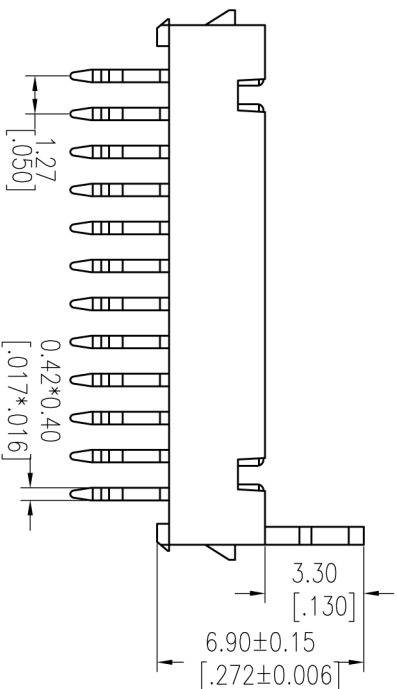
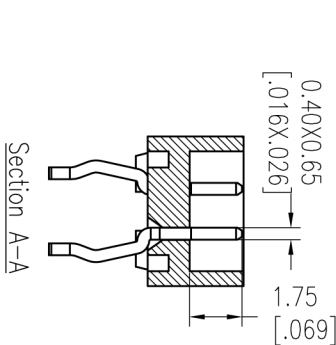
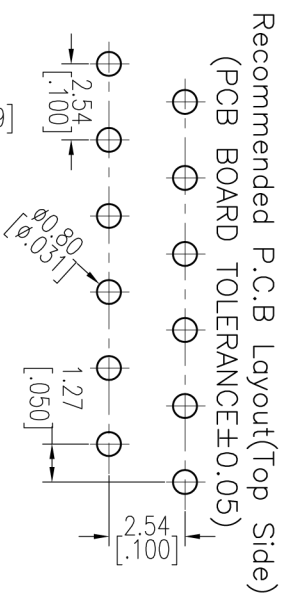
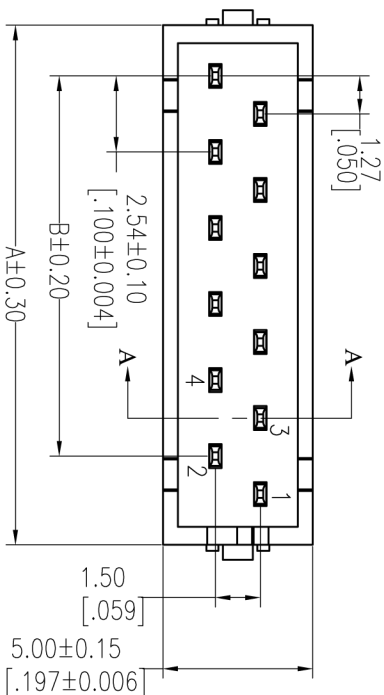


# HSHF

**NOTES:**

Current Rating: 1.0AMP  
 Contact Resistance: 20mΩ Max  
 Withstand Voltage: 500V AC/DC  
 Insulation Resistance: 1000MΩ Min  
 Operation Temperature: -40°C to +105°C

Contact Material: Phosphor Bronze  
 Contact plating: Sn over Ni  
 Insulator Material: PBT+30%GF UL94V-0



## Ordering Information

3900-XX MS SN AN T 01

No. of pins: 04P 12P, 06P 14P, 08P 16P, 10P 18P, 20P  
 Contact Plating: SN=Tin  
 Packing: T=Tube

Dimensional & Ordering Information

Circuit	Part No.	Dimension		Q'TY /Tube
		A	B	
04	3900-04MSSNANT01	7.20	2.54	71pcs
06	3900-06MSSNANT01	9.74	5.08	54pcs
08	3900-08MSSNANT01	12.28	7.62	44pcs
10	3900-10MSSNANT01	14.82	10.16	37pcs
12	3900-12MSSNANT01	17.36	12.70	31pcs
14	3900-14MSSNANT01	19.90	15.24	28pcs
16	3900-16MSSNANT01	22.44	17.78	25pcs
18	3900-18MSSNANT01	24.98	20.32	22pcs
20	3900-20MSSNANT01	27.52	22.86	20pcs

**上海回峰电子科技有限公司**  
 Shanghai Hui Feng Electronic Technology Co., Ltd.

电话: 021-67150229  
 传真: 021-67150251  
 企业邮箱: hui Feng\_dzki@163.com  
 公司网站: www.hui Feng-china.com

REV	DATE	MODIFICATION DESCRIPTION	CHANGE	OPERATION	DRAW	DATE	SCALE	FIT	PART NO.
A2	2014/05/28	Micro Match --Mini Match		XX ±0.40	JYhuang	2014/05/28	mm		SEE TABLE
A1	2014/04/02	3900-12MSSNANT01: DIMA=17.63--17.36		XX ±0.25	CHECK	DATE	A4		TITLE: Mini Match Box Header 180° DIP
A0	2012/10/12	NEW		X,XXX ±0.15	APPROVE	DATE	1/1		Customer NO.
REV	DATE	MODIFICATION DESCRIPTION	CHANGE	Angle ± 3°	APPROVE	DATE	SHEET	PROJ.	