

NOTES:

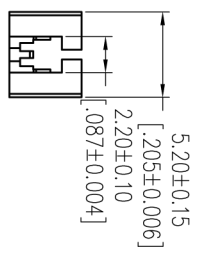
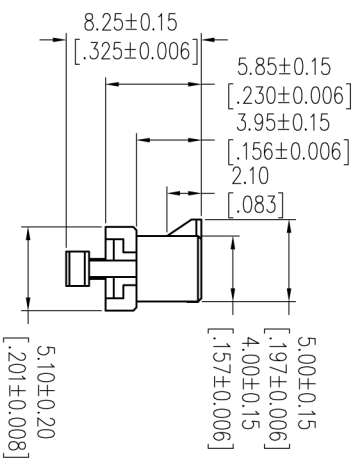
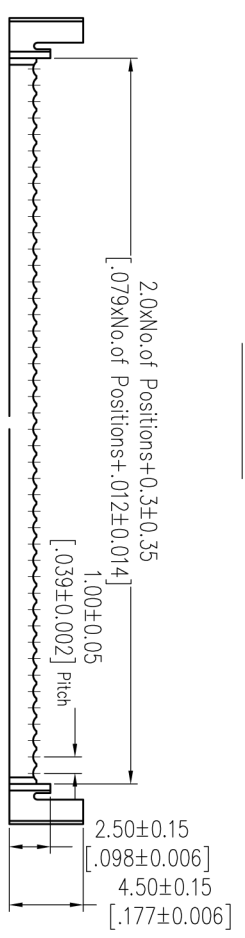
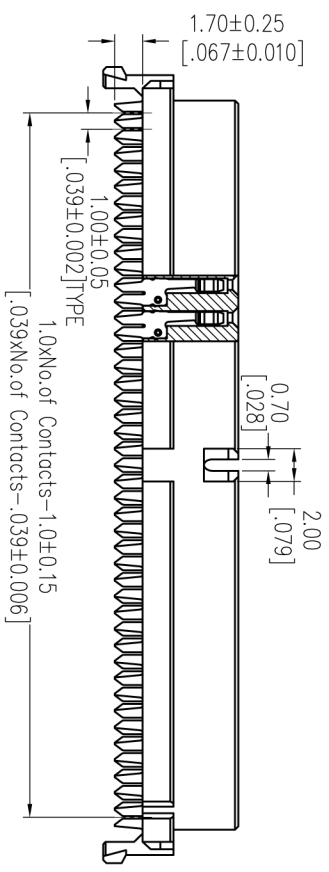
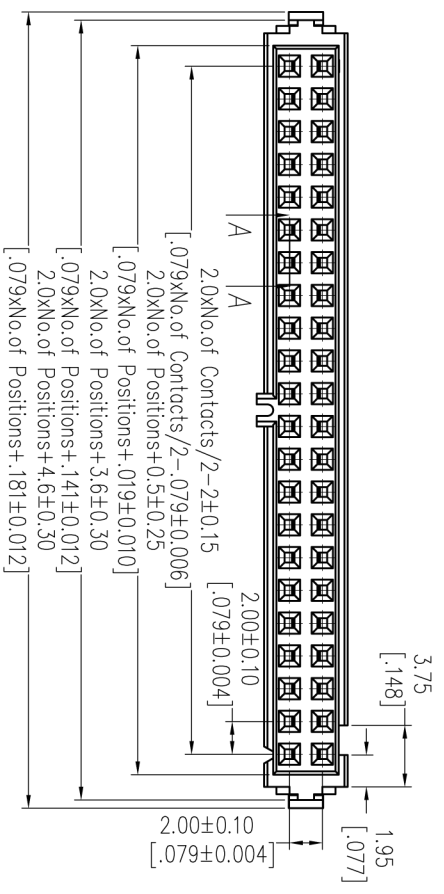
- Current Rating: 1.0AMP
- Contact Resistance: 20mΩ Max
- Withstand Voltage: 500V AC/DC
- Insulation Resistance: 1000MΩ Min
- Operation Temperature: -40℃ to +105℃
- Contact Material: Phosphor Bronze
- Contact plating: Au Or Sn over Ni
- Insulator Material: PBT+30%G.F UL94V-0

Ordering Information

5223-XX Y P XX B W 01

No. of Pins	Contact Plating	Color Insulator
06P 26P	S0=Gold Flash/Ni	B=Black
08P 30P	S3=10u"Gold/Ni	G=Grey(427C)
10P 34P	S4=15u"Gold/Ni	E=Grey(413C)
12P 36P	S5=30u"Gold/Ni	
14P 40P	SN=Tin	
16P 44P		
18P 50P		
20P 60P		
22P 64P		
24P		

Item	Pitch	Mating
Standard	2.00	3121
Alternate		



REV	DATE	MODIFICATION DESCRIPTION	CHANGE DIM	OPERATION	DRAW	DATE	SCALE	FIT	PART NO.
A0	2012/10/10	NEW		XX ±0.40	JYhuang	2012/10/10	mm	A4	5223-XXYPXXBW01
				X.XX ±0.25	CHECK	DATE	SIZE	A4	TITLE: 2.00 IDC SOCKET WITH BUMP (T-TYPE)
				X.XXX ±0.15	APPROVE	DATE	SHEET	1/1	Customer NO.
				Angle ± 3'			PROJ.		

上海回峰电子科技有限公司
Shanghai Hui Feng Electronic Technology Co., Ltd.

电话: 021-67150229
传真: 021-67150251
企业邮箱: huiheng_dzkj@163.com
公司网站: www.huiheng-china.com