

HSF

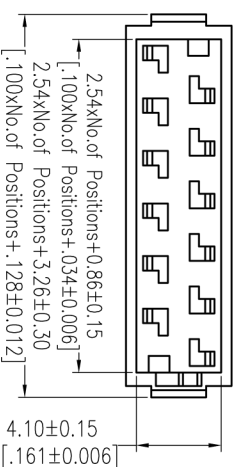
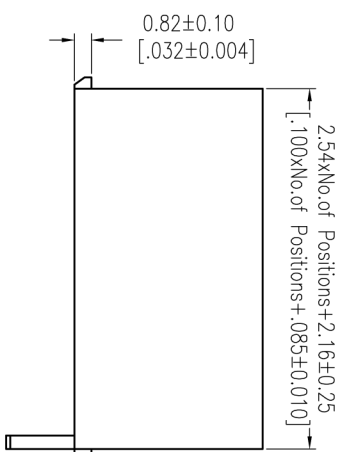
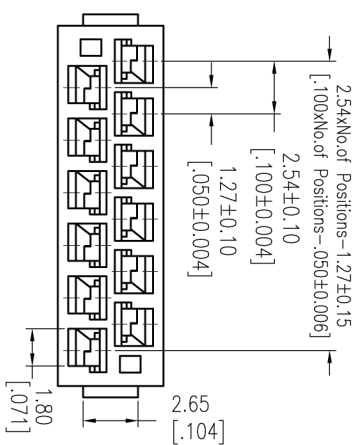
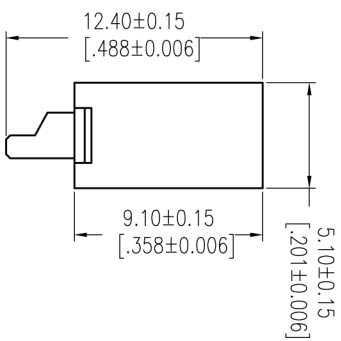
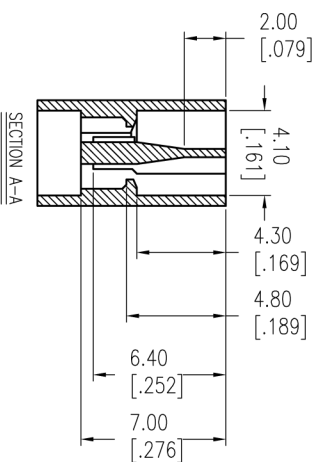
NOTES:

Current Rating: 1.0AMP
Contact Resistance: 20mΩ Max
Withstand Voltage: 500V AC/DC
Insulation Resistance: 1000MΩ Min
Operation Temperature: -40°C to +105°C
Insulator Material: PBT+30%G.F UL94V-0
Used with: 3900-T(Crimp Terminal)

Ordering Information

3900 - H XX R 01

No. of pins



REV	DATE	MODIFICATION DESCRIPTION	CHANGE	OPERATION	DRAW	DATE	SCALE	FIT	PART NO.
A1	2014/05/28	MICRO MATCH--MINI MATCH		XX ±0.40	JYhuang	2014/05/28	UNIT	mm	3900-HXXXR01
A0	2012/10/11	NEW		XXX ±0.15	CHECK		SIZE	A4	MINI MATCH CRIMP HOUSING
				Angle ± 3'	APPROVE	DATE	SHEET	1/1	Customer NO.
				DIM	TOL		PROJ.		

hf 上海回峰电子科技有限公司
Shanghai Hui Feng Electronic Technology Co., Ltd.

电话: 021-67150229
传真: 021-67150251
企业邮箱: hui Feng_dzki@163.com
公司网站: www.huifeng-china.com