

# HSF

## TECHNICAL SPECS:

Current Rating: 3.0AMP  
 Contact Resistance: 10m Ω Max  
 Dielectric Strength: Min 1000Vrms  
 Mechanical Life: Min 500 cycles  
 Mating Pin:  $\phi 0.7$  to  $\phi 0.9$ mm or 0.635SQ  
 Forces: (polished steel gauge  $\phi 0.76$ mm)  
 Insertion: 150g Max/Pin, Withdrawal: 30g Min/Pin  
 Operation Temperature:  $-40^{\circ}\text{C}$  to  $+105^{\circ}\text{C}$

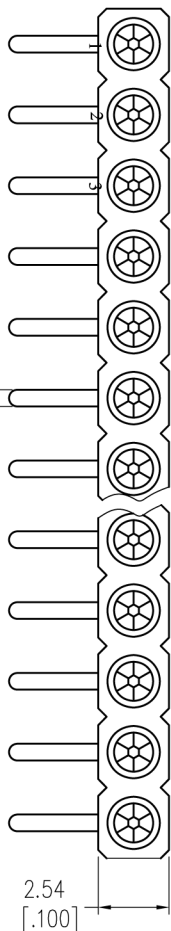
Sleeve: Brass CuZn36Pb3(C360000)  
 Contact Clip(6 finger): BeCu(C17200)  
 Insulator Material: PPS+30%G.F(UL94V-0)

## Ordering Information

3521-701 XXX R XX 124 X 1

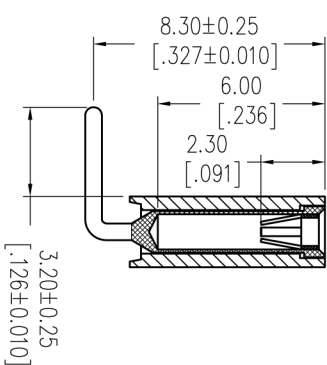
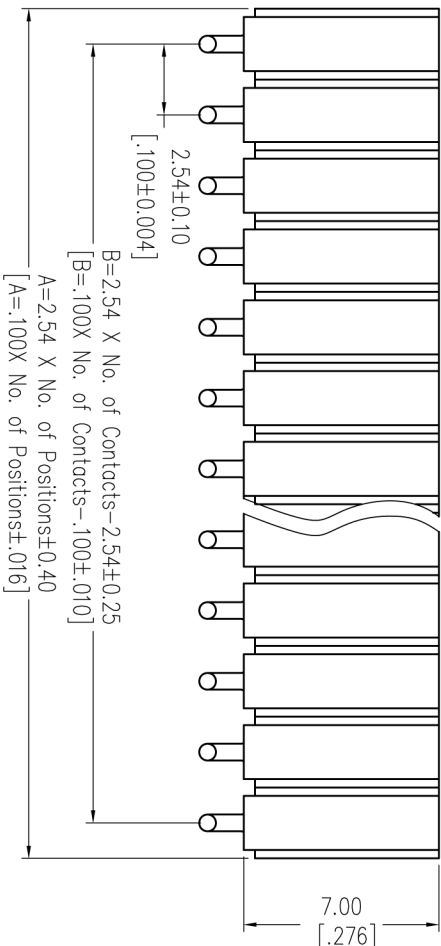
No. of Pin: 2-50PIN  
 Contact Plating: S0=Gold Flash/Tin, S3=10u"Gold/Tin, S4=15u"Gold/Tin, S5=30u"Gold/Tin, SN=Tin  
 Packing: A=Tray, T=Tube

Item	Pitch	Mating
Standard	2.54	3511
Alternate		



Recommended P.C.B Layout(Top Side)  
 (PCB BOARD TOLERANCE  $\pm 0.05$ )

Pad Pitch: 2.54  
 Pad Diameter:  $\phi 1.00$   
 Pad Diameter Tolerance:  $[\pm 0.039]$



REV	DATE	MODIFICATION DESCRIPTION	CHANGE	OPERATION	DRAW	DATE	SCALE	FIT	PART NO.
A0	2012/10/18	NEW		XX $\pm 0.40$	JYhuang	2012/10/18	mm	A4	3521-701XXRXX124X1
				X.XX $\pm 0.25$	CHECK	DATE	SIZE	A4	TITLE: 2.54mm MACHINED FEMALE HEADER SINGLE ROW 90° H=7.00 L=12.43
				X.XXX $\pm 0.15$	APPROVE	DATE	SHEET	1/1	Customer NO.
				Angle $\pm 3^{\circ}$			PROJ.		
				DIM TOL					

**HF** 上海回峰电子科技有限公司  
 Shanghai Hui Feng Electronic Technology Co., Ltd.

电话: 021-67150229  
 传真: 021-67150251  
 企业邮箱: hui Feng\_dzki@163.com  
 公司网站: www.huifeng-china.com